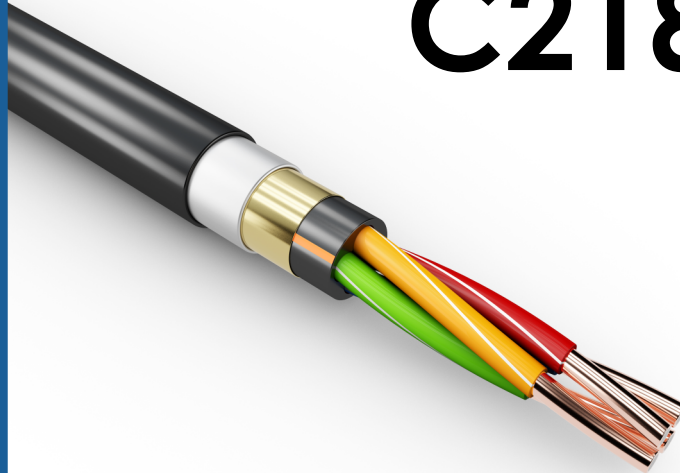




GENVOLT

Multi Conductor Cable

C2181-1



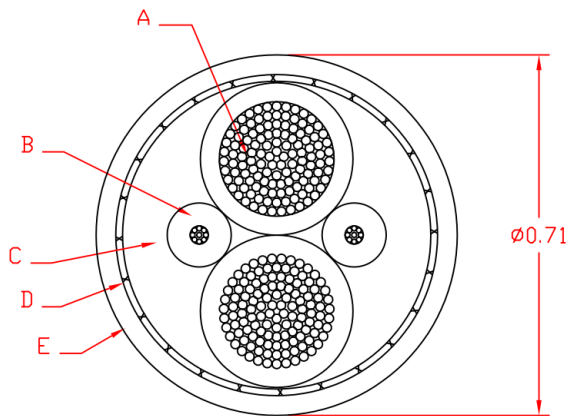
High Voltage
Multi Conductor Cable



C2181-1

15kV_{DC} / SILICONE DIELECTRIC / 4 CONDUCTOR SHIELDED

CONSTRUCTION



KEY

- A. 2 X #6 AWG (133x #27 AWG) TIN PLATED COPPER SILICONE RUBBER TO $\varnothing 0.300 \pm 0.015$
- B. 2 X #20 AWG (10x #30 AWG) TIN PLATED COPPER SILICONE RUBBER INSULATION TO $\varnothing 0.126$ COLOUR: ONE WHITE, ONE RED
- C. FILLER MATERIAL & BINDER TAPE TO ENSURE ROUNDNESS
- D. BRAIDED SHIELD, #34 AWG, 85% COVERAGE
- E. GREY PVC COMPOUND JACKET, 0.040 WALL

TECHNICAL INFORMATION

Voltage kV (DC)		15		Voltage kV (AC)		5	
Number of Conductors		2		Outside Diameter		Inches 0.800	
		2				cm 2.032	
AWG		#6		Impedance		ohms 12	
		#20				42	
Strands		133x TC		Capacitance		pF/ft 152	
		10/30 TC				43	
Insulation		Silicone		Min Bend Radius		Inches 6.00	
Semicon Diameter		N/A				Cm 15.24	
Dielectric Insulation		Material Silicone		Min Ambient Temp		°F -60	
		Diameter (in) 0.300 0.126				°C -51	
		Diameter (cm) 0.76 0.32				Max Conductor Temp	
Construction #34 TC Braid		°C 60					
Shield		AWG Equiv #14		Weight		lb/ft 0.400	
		Coverage % 85%				kG/m 0.596	
		Semicon N/A				Jacket Material PVC	

GLOBAL PRESENCE



UK Office:

Genvolt, New Road, Bridgnorth, Shropshire, WV16 6NN, United Kingdom

Tel: +44 (0) 1746 862 555

Email: info@genvolt.co.uk Website: www.genvolt.com

India Office:

Genvolt India Private Limited

806, Suratwala Mark Plazzo, Hinjewadi Village, Hinjewadi, Pune, Maharashtra - 411057, India

Email: supportindia@genvolt.co.uk Website: www.genvolt.in

Research and Development:

Genvolt Ltd

New road, Bridgnorth, Shropshire, WV16 6NN

Factories:

Genvolt Ltd

New road, Bridgnorth, Shropshire, WV16 6NN

Boher High Voltage Power Supplies Ltd (Genvolt China)

No. 79 Yandangshan Road, Suyu District, Suqian City, Jiangsu, China